

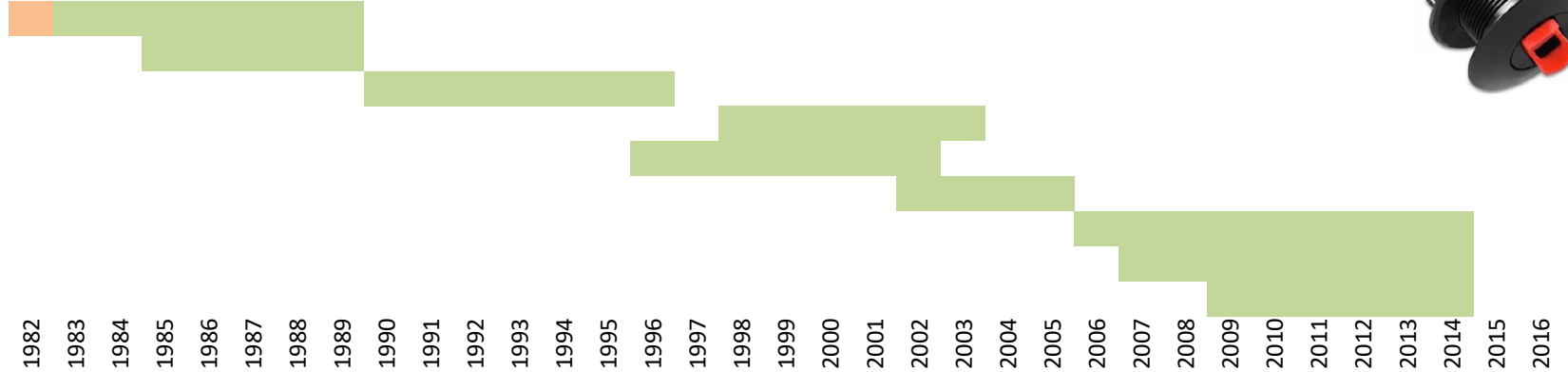
Garmin transducers as spares for
Silva/Nexus Legacy products

GST43



GST43 compatability with legacy Silva/Nexus products

- Silva 1000-series (1982-1989)
- Silva 100-series (1985-1989)
- Silva Direction (1990-1996)
- Silva Star (1998-2003)
- Silva Nexus (1996-2002)
- Silva NX2 (2002-2005)
- Nexus NX2 (2007-2014)
- Nexus NX (2007-2014)
- Nexus NXR (2008-2014)



- GST43 fits all legacy 43mm through hull fitting
- If the old sensor has a red paddelwheel, this works
- See colour table for connections

colour table

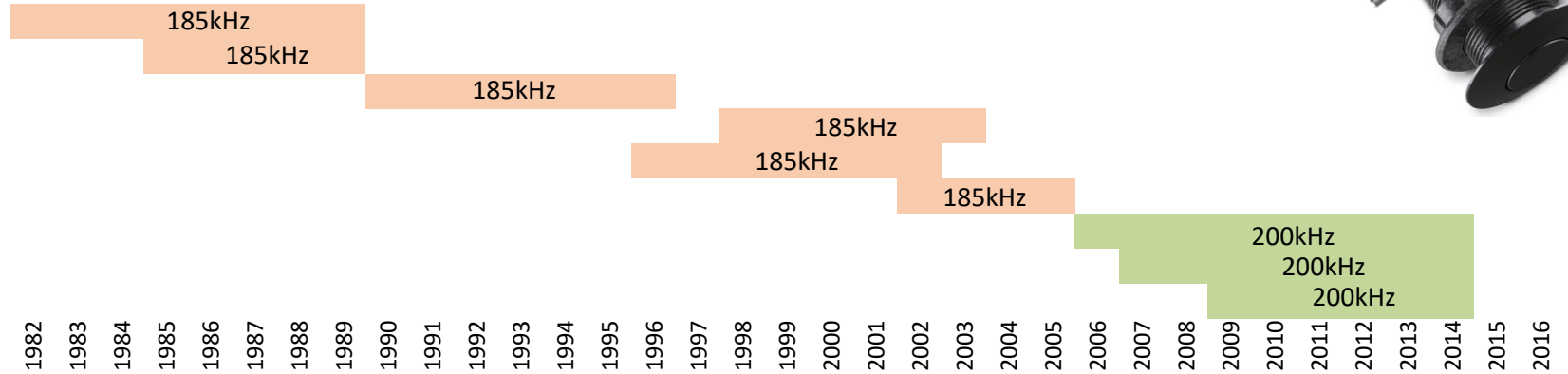
GST43 transducer	Green 12V	Yellow Log	White Temp	Screen 0V	Blue Garmin
Silva 1000-series (1982-1989)	Red	white	NC	Black	NC
Silva 100-series (1985-1989)	Red	white	NC	Black	NC
Silva Direction (1990-1996)	Green	white	NC	Brown	NC
Silva Star (1998-2003)	Green	Yellow	White	Screen	NC
Silva Nexus (1996-2002)	Green	Yellow	White	Screen	NC
Silva NX2 (2002-2005)	Green	Yellow	White	Screen	NC
Nexus NX2 (2007-2014)	Green	Yellow	White	Screen	NC
Nexus NX (2007-2014)	Green	Yellow	White	Screen	NC
Nexus NXR (2008-2014)	Green	Yellow	White	Screen	NC

GDT43



GDT43 compatibility with legacy Silva/Nexus products

- Silva 1000-series (1982-1989)
- Silva 100-series (1985-1989)
- Silva Direction (1990-1996)
- Silva Star (1998-2003)
- Silva Nexus (1996-2002)
- Silva NX2 (2002-2005)
- Nexus NX2 (2007-2014)
- Nexus NX (2007-2014)
- Nexus NXR (2008-2014)



- GDT43 fits all legacy 43mm through hull fitting
- However, only works with 200kHz systems (Black cable)
- See colour table for connections

colour table

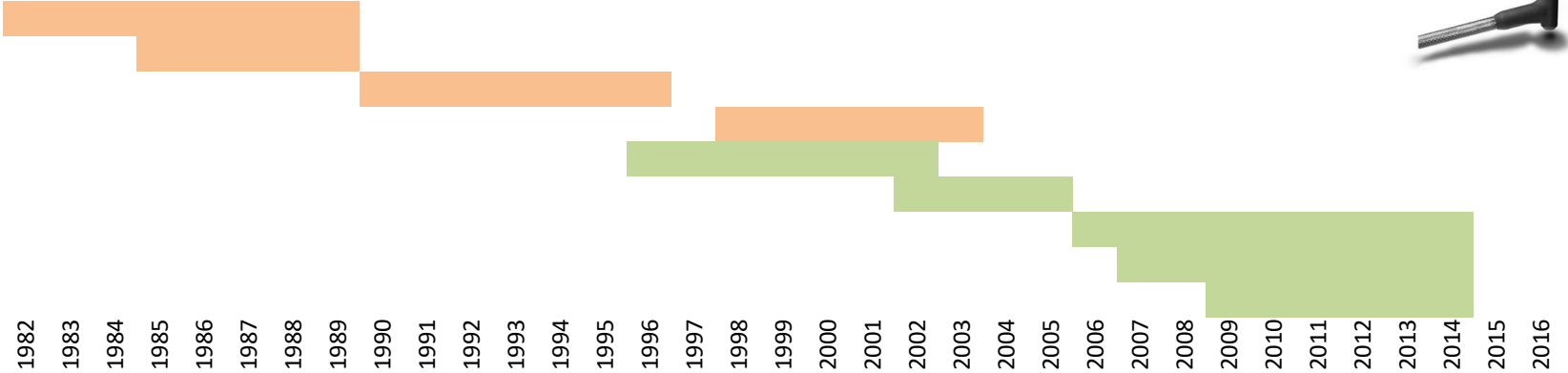
GDT43 transducer	Red Sign +	Black Sign -	Screen 0V	White Temp
Silva 1000-series (1982-1989)	N/A	N/A	N/A	N/A
Silva 100-series (1985-1989)	N/A	N/A	N/A	N/A
Silva Direction (1990-1996)	N/A	N/A	N/A	N/A
Silva Star (1998-2003)	N/A	N/A	N/A	N/A
Silva Nexus (1996-2002)	N/A	N/A	N/A	N/A
Silva NX2 (2002-2005)	N/A	N/A	N/A	N/A
Nexus NX2 (2007-2014)	Blue	Black	Screen	N/C
Nexus NX (2007-2014)	Blue	Black	Screen	N/C
Nexus NXR (2008-2014)	Blue	Black	Screen	N/C

gWind

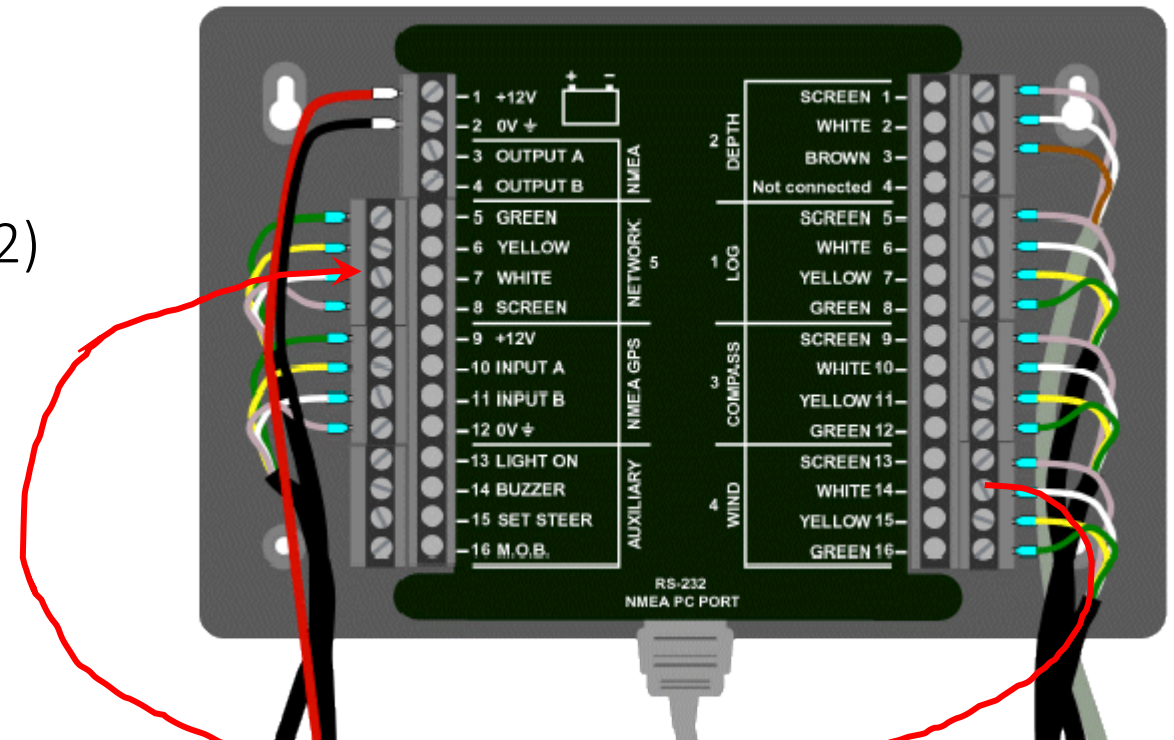


gWind compatability with legacy Silva/Nexus products (Note, gWind should be connected to the Nexus Network, not the wind input)

- Silva 1000-series (1982-1989)
- Silva 100-series (1985-1989)
- Silva Direction (1990-1996)
- Silva Star (1998-2003)
- Silva Nexus (1996-2002)
- Silva NX2 (2002-2005)
- Nexus NX2 (2007-2014)
- Nexus NX (2007-2014)
- Nexus NXR (2008-2014)



- gWind fit all legacy mast brackets
- Same colours of leads has been used*
- Adaptor connector is needed (010-12117-02)
- gWind has to be connected to the Network

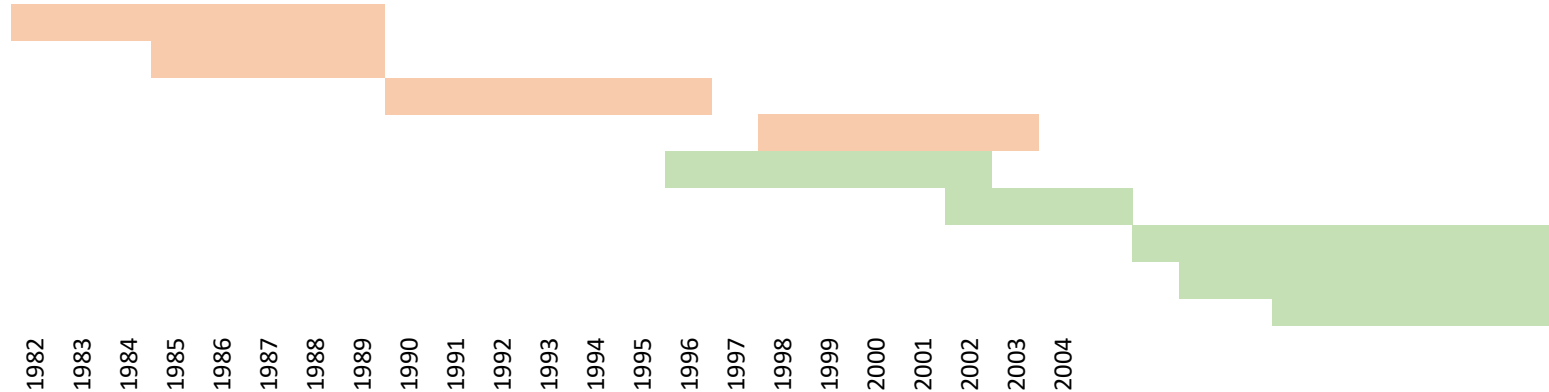


* Green, Yellow and white has always been the same but some has brown instead of Screen

GND10

GND10 compatibility with legacy Silva/Nexus products

Silva 1000-series (1982-1989)
Silva 100-series (1985-1989)
Silva Direction (1990-1996)
Silva Star (1998-2003)
Silva Nexus (1996-2002)
Silva NX2 (2002-2005)
Nexus NX2 (2007-2014)
Nexus NX (2007-2014)
Nexus NXR (2008-2014)



- Works with any product with a Nexus Network (see above)
- Require a Nexus Network master (Server or WSI-box)
- Need to be setup if Nexus sensor should be used (via NexusRace)

***IF a GND10 is added to a Nexus system, setting has to be made!
(see GND10 info_en_ver6.pdf)***

